

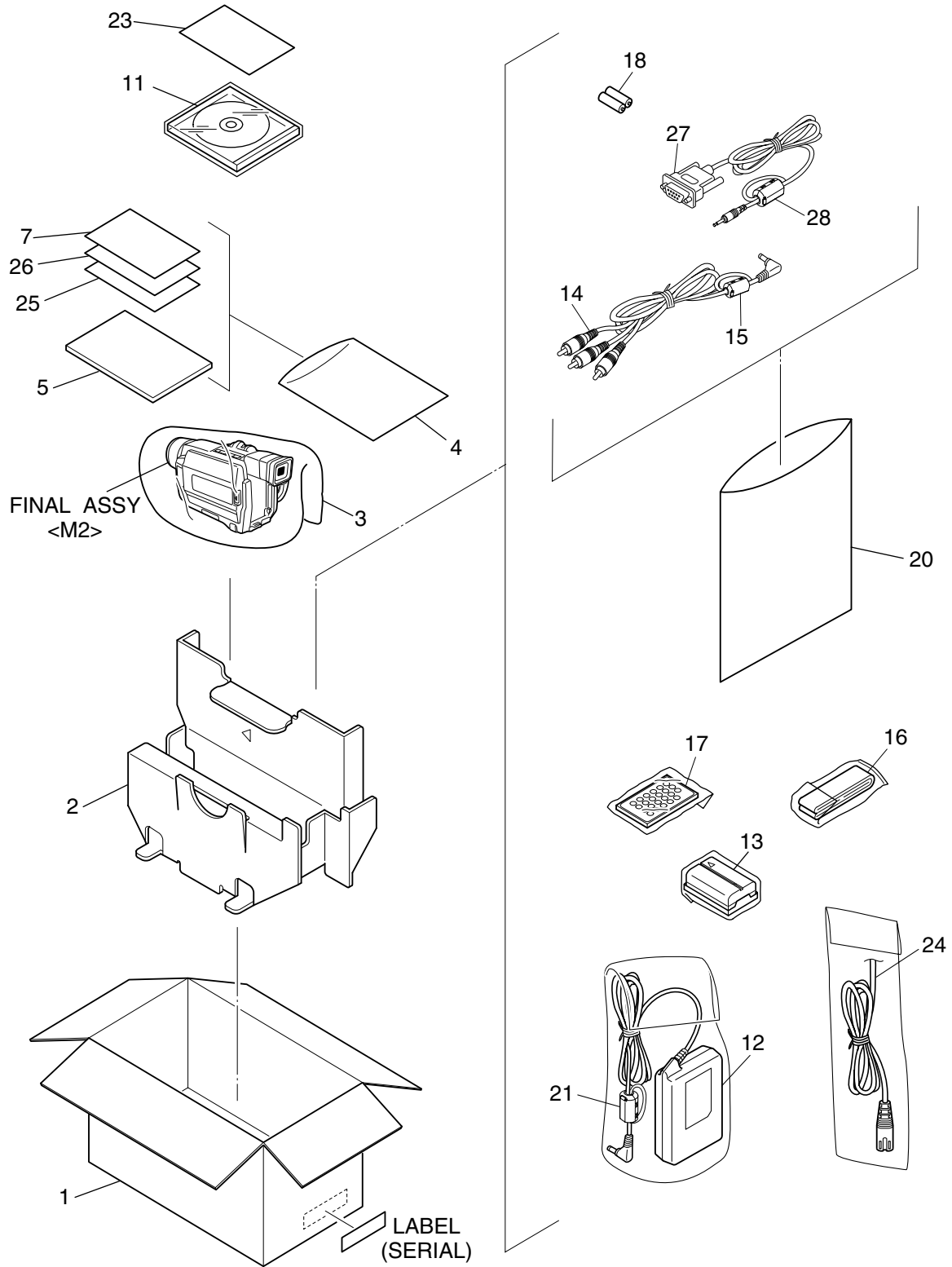
# SECTION 5 PARTS LIST

## SAFETY PRECAUTION

Parts identified by the  symbol are critical for safety. Replace only with specified part numbers.

### 5.1 PACKING AND ACCESSORY ASSEMBLY <M1>

The instruction manual to be provided with this product will differ according to the destination.



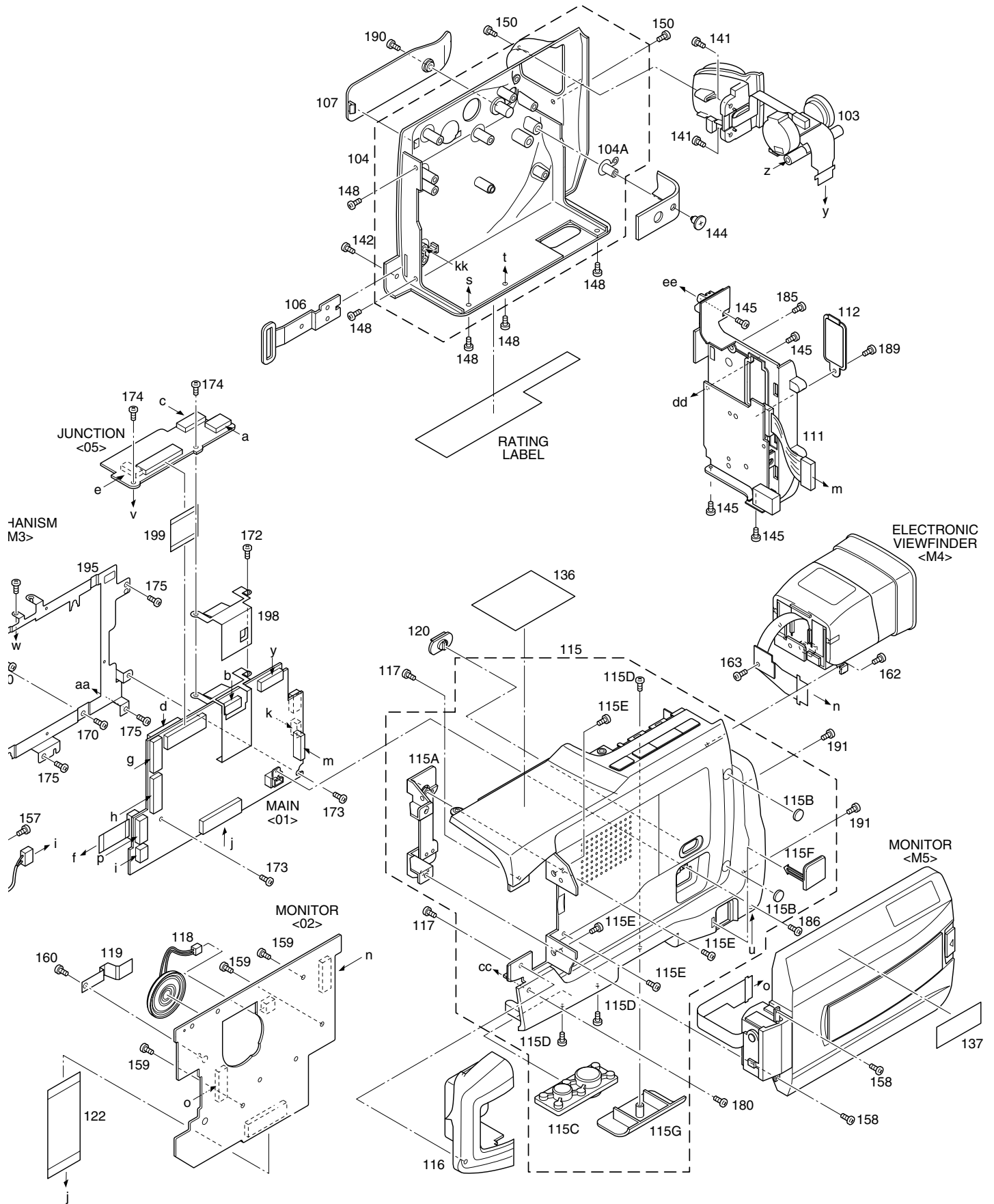
# △ REF No. PART No. PART NAME, DESCRIPTION  
 \*\*\*\*\*

**PACKING AND ACCESSORY ASSEMBLY <M1>**

1	LY32095-001A	PACKING CASE,DVL318KR
	LY32095-007A	PACKING CASE,DVL313KR
2	LY32345-001A	CUSHION
3	LY30023-008A	POLY BAG
4	QPA02003006	POLY BAG
△ 5	LYT0865-001A	INST.BOOK(KO),DVL313KR
△	LYT0866-001A	INST.BOOK(KO),DVL318KR
7	LYT0378-003A	SHEET(AGREMENT)
11	LY32210-002B	CD ROM
△ 12	LY20688-010A	AC ADAPTER,AP-V10KR
△ 13	LY31587-001A	BATTERY PACK,BN-V408U
14	QAM0211-001	CABLE ASSY,AUDIO/VIDEO CABLE
15	QQR0918-002	CORE FILTER
16	LY20186-001A	SHOULDER STRAP
17	LY42129-001A	REMOTE CONTROL UNIT,RM-V715U
18	—	BATTERY,AAA(R03),X2
20	QPA01703005	POLY BAG
21	QQR0490-002	CORE FILTER
23	BT-56010-1	WARRANTY CARD
△ 24	QMPS130-190-JC	POWER CORD
△ 25	LYT0614-001A	INST.BOOK(SOFT.SETUP)
△ 26	LYT0614-002A	INST.BOOK(SOFT.OPE.KO)
27	QAM0084-001	PC CABLE
28	QQR0491-002	CORE FILTER

- **INSTRUCTIONS**
- KO..... KOREAN





#	△ REF No.	PART No.	PART NAME, DESCRIPTION
*****			
<b>FINAL ASSEMBLY &lt;M2&gt;</b>			
		101	LY20706-001C LOWER CASE ASSY
		101A	LY32098-001A WINDOW(IR)
		101B	LY30018-063A SPECIAL SCREW
		101C	LY32099-001C COVER(JACK)
		102	LY20697-001D ARM ASSY
		102A	LY30001-023A TENSION SPRING
		102B	LY30029-0C7A SPACER(A)
		102C	LY30029-0E9A SPACER(A)
		103	LY20693-001A ZOOM UNIT
		104	LY20704-001B CASSETTE COVER ASSY
		104A	LY40592-001A CAP(GRIP BELT)
		105	LY20575-004B GRIP BELT
		106	LY42891-001A HOOK(GRIP)
		107	LY32092-030A COVER(AJUST),DVL313KR
			LY32092-042A COVER(AJUST),DVL318KR
		108	LY30029-0D8A SPACER(A)
		110	LY32093-001B COVER(ZOOM)ASSY
		111	LY20725-001A REAR UNIT
		112	LY41691-001A COVER(JIG)
		115	LY20707-001C UPPER CASE(2.5)ASSY,DVL313KR
			LY20717-001C UPPER CASE3/3.5 ASSY,DVL318KR
		115A	LY32101-001A BRACKET
		115B	LY40664-001A SPACER,X2
		115C	LY31019-001A BASE
		115D	LY30018-084A SPECIAL SCREW,X3
		115E	LY30018-0A8A SPECIAL SCREW,X4
		115F	LY42866-001A CAP(DC JACK)
		115G	LY32110-001A COVER
		116	LY32106-001A COVER(HINGE)
		117	LY30018-084A SPECIAL SCREW,X2
		118	QAS0048-001 SPEAKER
		119	LY42167-001A PLATE(SPK)
		120	LY42919-001A KNOB(SLIDE)
		122	QUQ105-4007AA FFC WIRE,MAIN CN101-MONI CN761
△		130	LY20711-001B FRONT COVER ASSY
		130A	LY32111-001B HOOD
		130B	LY32112-001A RING
		130C	LY32113-001A HOOD(SCREW)
		130D	LY42953-001A MARK
		130E	LY30018-052A SPECIAL SCREW,X3
		132	LY31617-002A DC LIGHT ASSY
		132A	YQ44266 LAMP
		133	LY32114-001A MICROPHONE
		134	LY40698-002A LABEL(HOUSING)
		135	LY40699-002A LABEL(PUSH)
		136	LY43093-008A STICKER(TOP)
		137	LY43094-001A STICKER(SIDE)
		139	LY43360-002A CAP(HOOD) ASSY
		139A	LY42190-001A STRING
		140	LY30018-084A SPECIAL SCREW,X3
		141	LY30018-096A SPECIAL SCREW,X2
		142	LY30018-038A SPECIAL SCREW
		143	LY30018-084A SPECIAL SCREW
		144	LY30018-0D1A SPECIAL SCREW
		145	LY30018-084A SPECIAL SCREW,X4
		146	LY30018-084A SPECIAL SCREW,X3
		147	LY30018-038A SPECIAL SCREW,X2
		148	LY30018-038A SPECIAL SCREW,X5
		149	LY30018-084A SPECIAL SCREW,X2

#	△ REF No.	PART No.	PART NAME, DESCRIPTION
		150	LY30018-084A SPECIAL SCREW,X2
		151	LY30018-023A SPECIAL SCREW
		155	LY30018-084A SPECIAL SCREW
		156	LY30019-029B SPECIAL SCREW,X2
		157	LY30018-023A SPECIAL SCREW
		158	LY30018-0D6A SPECIAL SCREW,X2
		159	LY30018-023A SPECIAL SCREW,X3
		160	LY30018-047A SPECIAL SCREW
		162	LY30018-063A SPECIAL SCREW
		163	LY30018-064A SPECIAL SCREW
		170	LY30019-026A SPECIAL SCREW,X2
		171	YQ43893-4 MINI SCREW
		172	YQ43893-4 MINI SCREW
		173	LY30019-033A SPECIAL SCREW,X2
		174	QYSPSPT1730Z SCREW,X2
		175	LY30018-066A SPECIAL SCREW,X4
		176	LY30018-084A SPECIAL SCREW
		177	LY30018-084A SPECIAL SCREW,X2
		178	LY30018-084A SPECIAL SCREW,X3
		179	LY30018-084A SPECIAL SCREW,X5
		180	LY30018-092A SPECIAL SCREW
		185	LY30018-065A SPECIAL SCREW
		186	LY30018-006B SPECIAL SCREW
		187	LY30018-092A SPECIAL SCREW
		188	LY30018-065A SPECIAL SCREW
		189	LY30018-037A SPECIAL SCREW
		190	LY30018-037A SPECIAL SCREW
		191	LY30018-084A SPECIAL SCREW,X2
		195	LY20696-001A BRACKET(MECHA)
		196	LY42846-001C BKT(OP) ASSY
		196A	LY42796-001A BUSH,X2
		198	LY32081-001A SHIELD PLATE
		199	WJT0044-001A E-CARD WIRE,MAIN CN113-JUNC CN571
		200	LY43092-001A PLATE
<b>- OPTICAL BLOCK SECTION -</b>			
		251	J7A-133A OPTICAL BLOCK ASSY
		251A	LY30723-001B ZOOM MOTOR
		251B	LY30724-001B FOCUS MOTOR
		251C	LY30727-002A SCREW,X5
		251D	LY30727-001A SCREW,X2
		251E	LY42936-001A OPTICAL LPF
		251F	LY31639-001A SPACER RUBBER
		251G	QYSPSGU1750Z SCREW,X2
		251H	LY32160-001A IRIS MOTOR
		251J	YS40168E CCD BASE ASSY